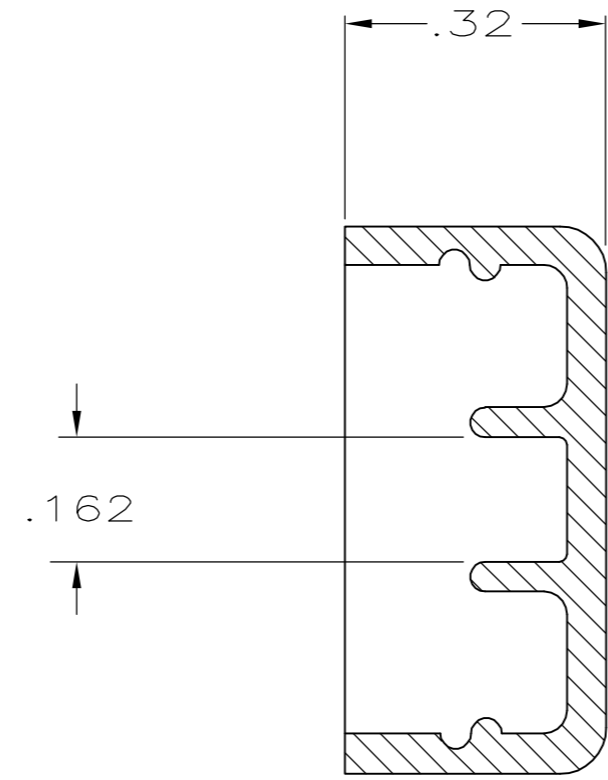
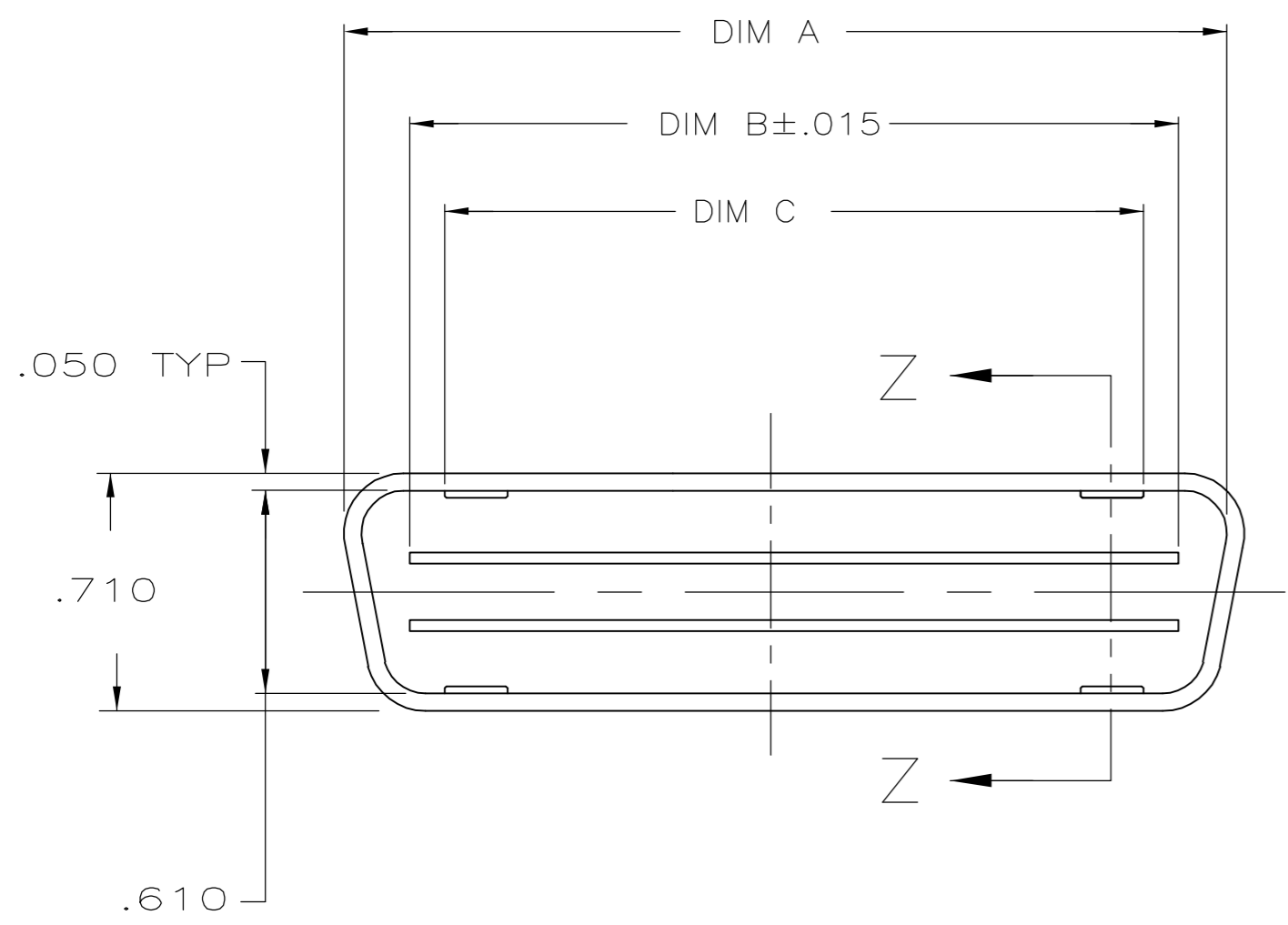


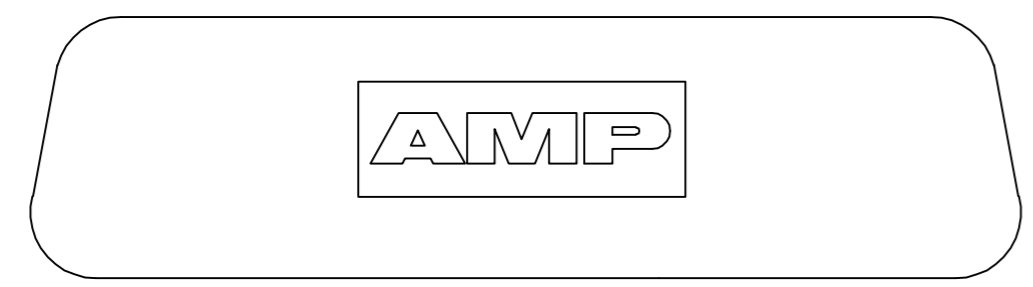
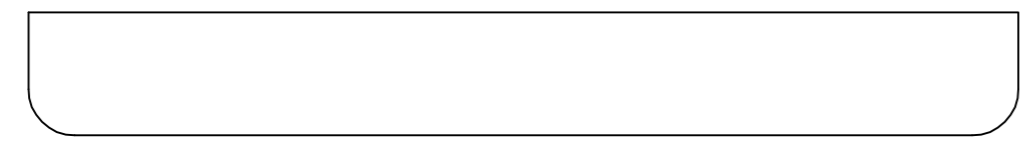
THIS DRAWING IS UNPUBLISHED. RELEASED FOR PUBLICATION
 © COPYRIGHT BY TYCO ELECTRONICS CORPORATION. ALL RIGHTS RESERVED.

LOC	DIST	REVISIONS					
AA	40	P	LTR	DESCRIPTION	DATE	DWN	APVD
		K		REVISED PER ECN 0513-0621-04	07MAR06	JDP	WLM

1. ALL DIMENSIONS SHOWN ARE FOR REFERENCE ONLY UNLESS OTHERWISE SPECIFIED.



SECTION Z-Z
SCALE 4:1



	.662	1.160	1.260	14	229968-5
	1.087	1.585	1.685	24	229968-4
OBSOLETE	1.597	2.090	2.190	36	229968-3
	2.787	3.285	3.385	64	229968-2
	2.192	2.715	2.815	50	229968-1
	DIM. C	DIM. B	DIM. A	POSITION	PART NO.

THIS DRAWING IS A CONTROLLED DOCUMENT.		DWN GP MACARTHUR 15 MAR 94	Tyco Electronics Corporation Harrisburg, PA 17105-3608	
DIMENSIONS: mm [INCHES]		CHK N. JONES 18 MAR 94		
TOLERANCES UNLESS OTHERWISE SPECIFIED:		APVD J. TRAMMEL 21 MAR 94	NAME COVER, DUST, PLUG, CHAMP	
0 PLC ± - 1 PLC ± - 2 PLC ± .02 3 PLC ± .005 4 PLC ± - ANGLES ± -		PRODUCT SPEC -	RESTRICTED TO -	
MATERIAL THERMOPLASTIC(BLUE)		FINISH -	WEIGHT -	SIZE A2
		CAGE CODE 00779		DRAWING NO C=229968
		CUSTOMER DRAWING		SCALE 2:1
		SHEET 1 of 1		REV K